

Digital Beam Load Cell – Type SDM80



0-7.000kg

Special Features

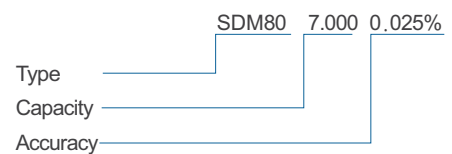
- Stainless steel
- Robust capacitive technology
- Patented high reliability capacitive sensor
- OIML R60 accuracy classes up to C5
- High tolerance of up to 1.000% overload
- Hermetically sealed to IP68
- Laser welded
- High accuracy, High resolution
- Digital filters
- Cable length up to 100meters
- Calibration independent of cable length
- Load cell cable replaceable
- Easy mechanical and electrical installation
- Withstands welding voltages and ESD



Applications

- Dynamic weighing
- Process weighing
- Mobile weighing
- Vibration feeders
- Big-bag equipment
- Hopper scales
- Conveyor scales
- Heavy duty platform scales
- Heavy duty applications
- Offshore applications

Order information

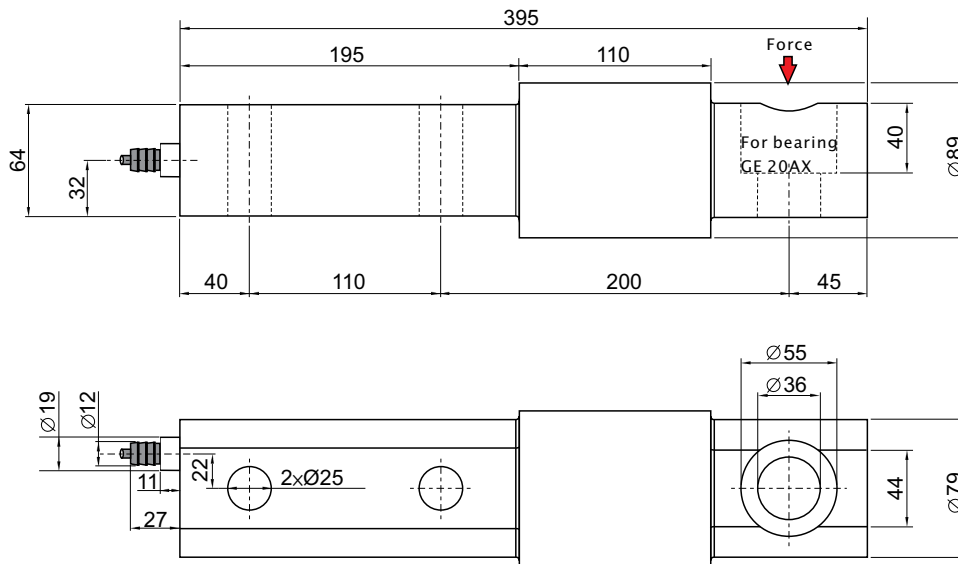


Options

- Mounting kits available
- Customized versions available
- Load cell cable length 10, 20, 50 or 100meters

Digital Beam Load Cell – Type SDM80

Dimensions (mm)



Parameter	Unit	0.10% C1	0.05% C2	0.025% C3**
Rated capacity (E _{max})	kg	5.000, 6.000, 7.000		
Safe overload limit	% of E _{max}	300 to 1.000		
Safe sideload limit	% of E _{max}	500 to 1.000		
Minimum dead load	% of E _{max}	0		
Accuracy	% of E _{max}	0.100	0.050	0.025
Max. number of load cell intervals	N _{max}	1.000	2.000	3.000
Repeatability	% of E _{max}	0.025	0.020	0.010
Hysteresis	% of E _{max}	0.033	0.020	0.016
Creep 30 min.	% of E _{max}	0.040	0.025	0.016
Temperature effect on zero	% /10°C	0.045	0.030	0.016
Temperature effect on sensitivity	% /10°C	0.045	0.030	0.016
Compensated temperature range	°C	-10 to 50		
Operating temperature range	°C	-50 to 80 (100*)		
Deflection at E _{max}	mm	Max 0.10		
Measuring rate	Hz	200		
Supply	V _{dc}	24V _{dc} ±10%		
Internal resolution	Bit	24		
Material		Stainless Steel 17-4 PH and AISI 316		
Protection		IP68		
Cable		6meter standard coaxial RG-58 (Ø6mm) with BNC connector		
Maximum cable length	m	100		
Weight	kg	10.5		
Output options		Profibus DP, DeviceNet, Modbus ASCII/RTU, EtherCAT EtherNet/IP, RS232, RS485/422, 4-20mA, 0-10V _{dc}		

* with Teflon cable

** higher accuracies available on request